

DI GROOVED FITTINGS-LIGHT-DUTY 90° ELBOW

Type: 90S

Doc No: DS-400-90S-01-E

1.0 PRODUCT OVERVIEW

Light-duty 90° elbow is one kind of short style elbow. It is used for grooved pipe connections for connection at the bend of the pipe and changing the direction of the pipe.



Dimensions:

2"(DN50)– 8"(DN200)

Design Standard:

ISO6182, AWWA C606, GB 5135.11

Connection Standard:

ASME B36.10, ASTM A53-A53M, ISO 4200

Working Pressure:

175PSI-300PSI

Application:

The light-duty 90° elbow is suitable for medium and low pressure pipeline systems with nominal pressure 175-300 PSI, nominal size DN50-DN200, temperature range of -20°C-+180°C, which are widely applied in water supply and drainage, fire-fighting, air conditioning, etc.

Pipe Material:

Welded and seamless rolled steel pipes according to ASME B36.10, ASTM A53-A53M, ISO 4200, GB/T 21835

Surface Treatment:

Sign Off:

Owner: _____ Contractor: _____

Engineer: _____

Location: _____ Date: _____

Approved & Date: _____

- Electrophoretic painting
- Epoxy power painting
- Hot-dip galvanizing
- Black
- Others would be available upon clients' detailed request

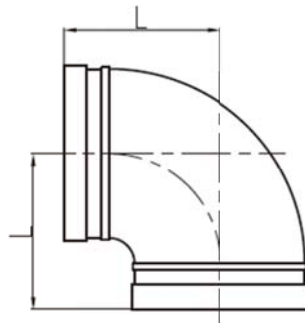
2.0 APPROVALS



3.0 SPECIFICATIONS-MATERIAL

ASTM A536, Ductile iron according to 65-45-12. The nodularity is more than 90%, ensuring excellent physical and mechanical properties.

4.0 DIMENSIONS AND PERFORMANCE



Sign Off:

Owner: _____ Contractor: _____
 Location: _____ Date: _____

Engineer: _____
 Approved & Date: _____

Nominal Size	Pipe O.D.	Working Pressure	Dimensions L
DN/in	mm/in	PSI/MPa	mm/in
50 2	60.3 2.375	300 2.07	70 2.75
65 2 ¹ / ₂	73.0 2.875	300 2.07	76 2.99
65 2 ¹ / ₂	76.1 2.996	300 2.07	76 2.99
80 3	88.9 3.500	300 2.07	86 3.39
100 4	108.0 4.252	500 3.45	101 3.98
100 4	114.3 4.500	365 2.52	101 3.98
125 5	139.7 5.500	300 2.07	124 4.88
150 6	159.0 6.260	300 2.07	140 5.51
150 6	165.1 6.500	365 2.52	140 5.51
150 6	168.3 6.625	300 2.07	140 5.51
200 8	216.3 8.516	300 2.07	175 6.89
200 8	219.1 8.625	300 2.07	165 6.50

5.0 REFERENCE MATERIALS

Approved certification for Grooved Fittings and Couplings

I-JM-Grooved fitting: Installation Instructions for grooved fittings and couplings

Sign Off:

Owner: _____ Contractor: _____

Location: _____ Date: _____

Engineer: _____

Approved & Date: _____